

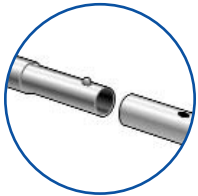
www.onpointvisuals.com
866/860-1892

details:

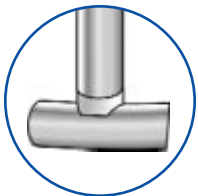
a. zippered sleeve



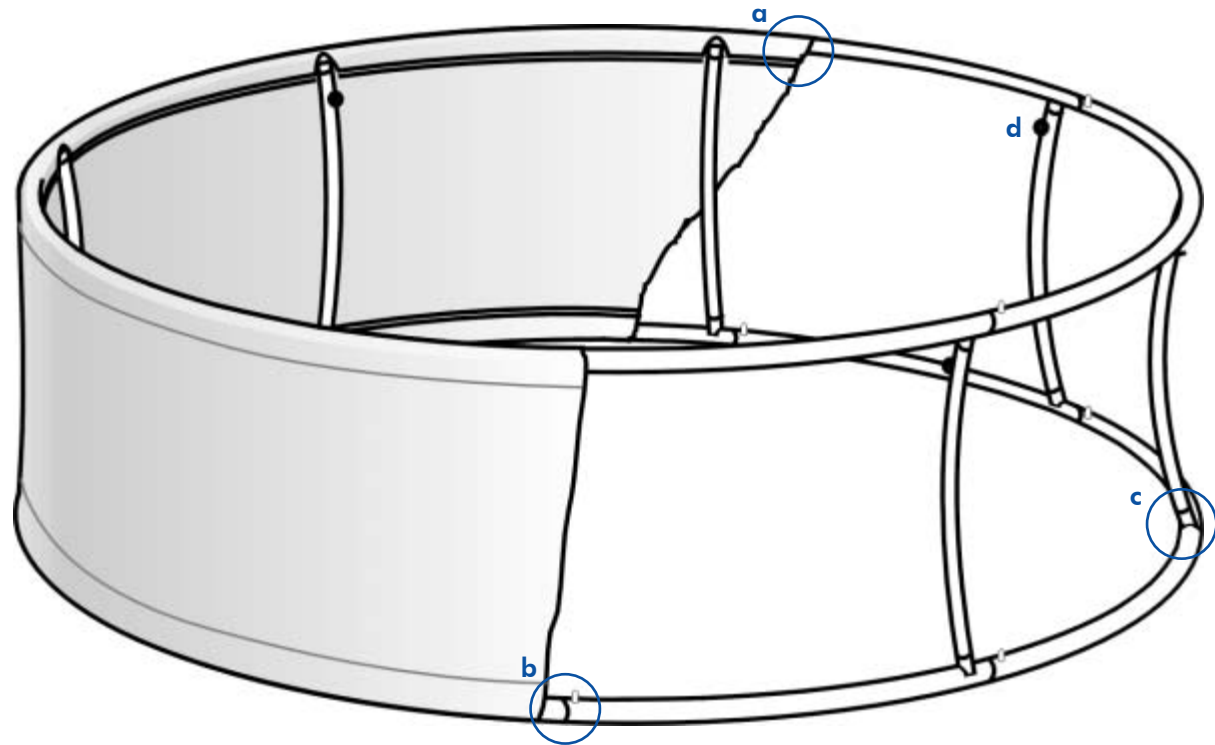
b. snap joint



c. delrin and rib

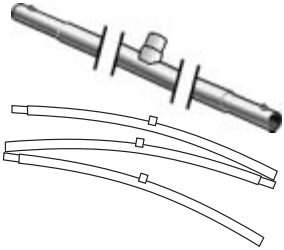


d. eye hook

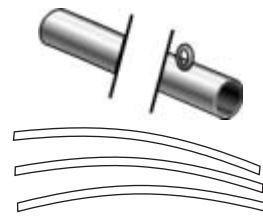


parts list:

2 - rings
(3-8 sections with delrins)



8-16 - curved ribs
(1 section w/ eyehook)



1. Spread dropcloth

This protects the skin and keeps it clean.

2. Assemble rings

Snap the bungeed curved pieces together to form 2 identical rings.

3. Place ribs

Slide the rib ends over the bottom delrin connectors, making sure they curve inward, toward the center of the circle.

4. Place top ring

Lift the top ring into place and insert the delrin connectors into the ribs.

5. Cover frame with fabric skin

Slide the fabric skin over the frame and pull it up over the top.

6. Close zippers

Starting at one rib, work around the circle zipping up both the top and bottom sleeves at the same time, closing about 3" of zipper each time. After working all around the circle, close each zipper fully. The structure is now ready for hanging.

